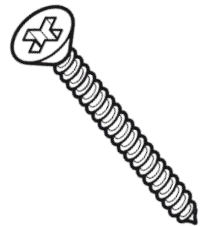
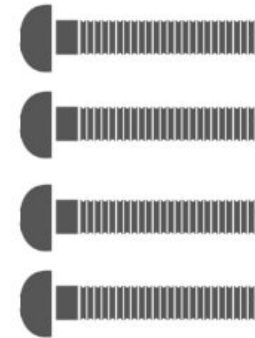
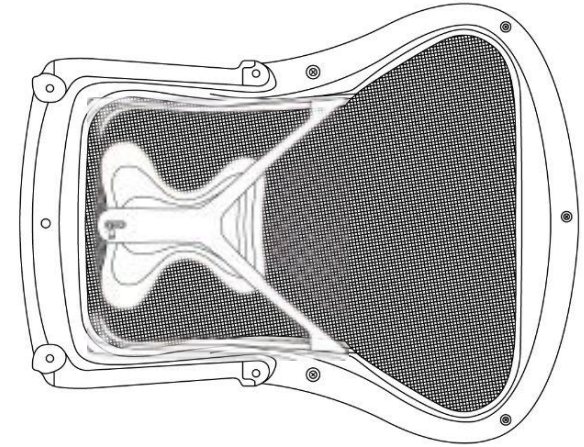
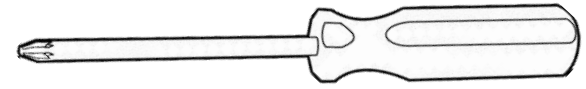
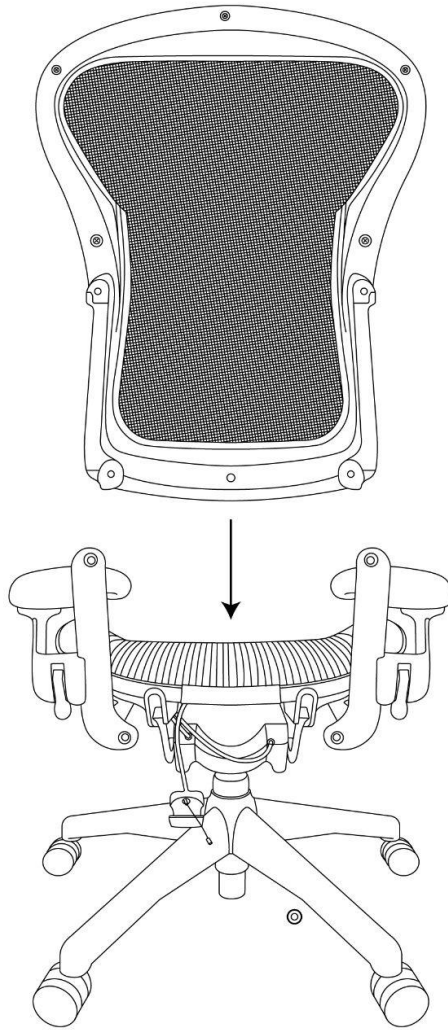
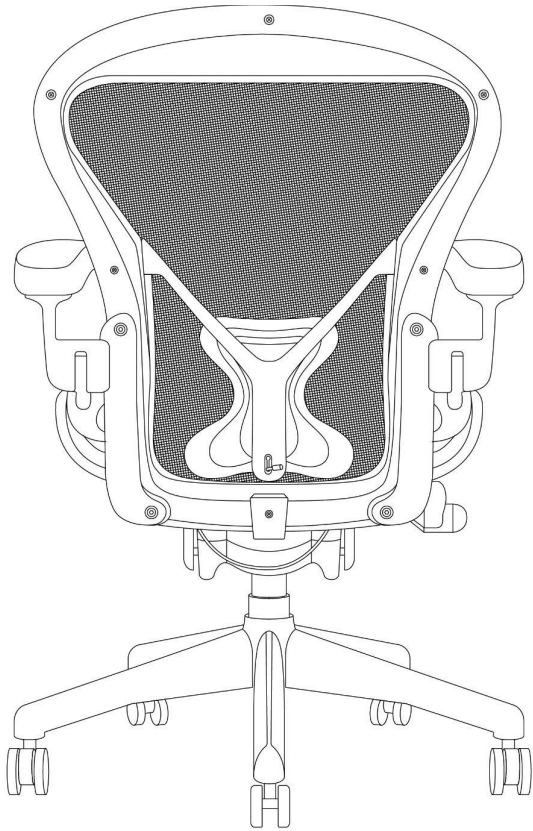


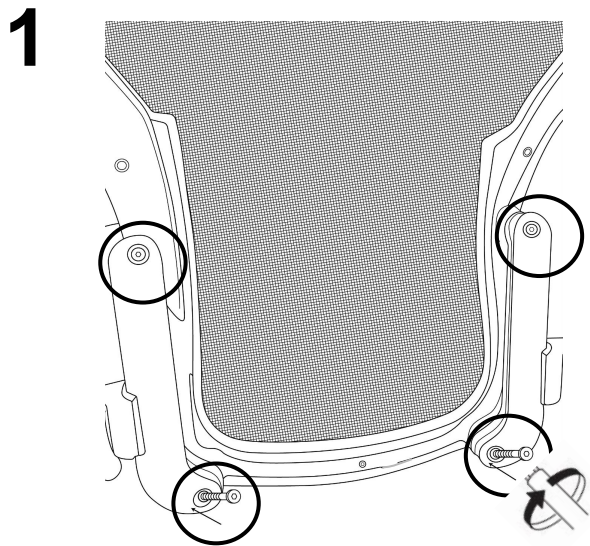
AERON

POSTURE-FIT

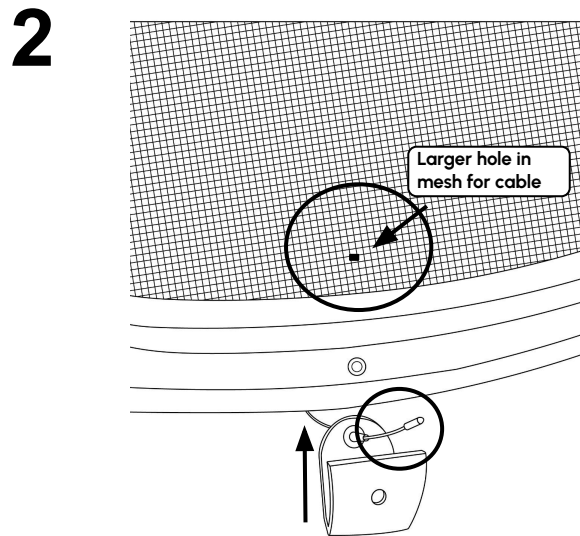
Instructions



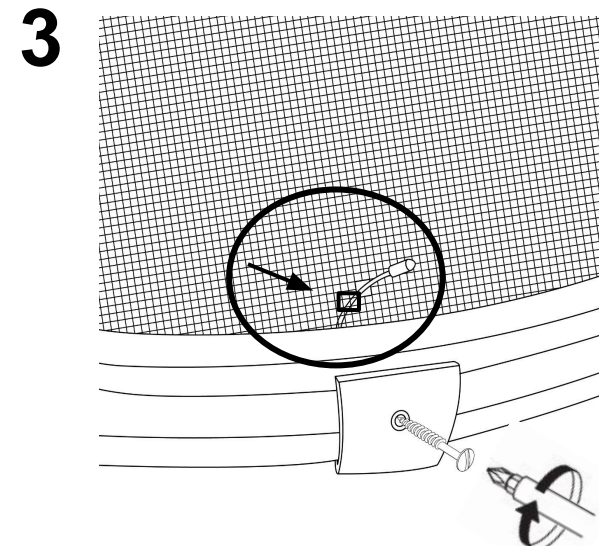
Scan for our video instructions and additional assembly support



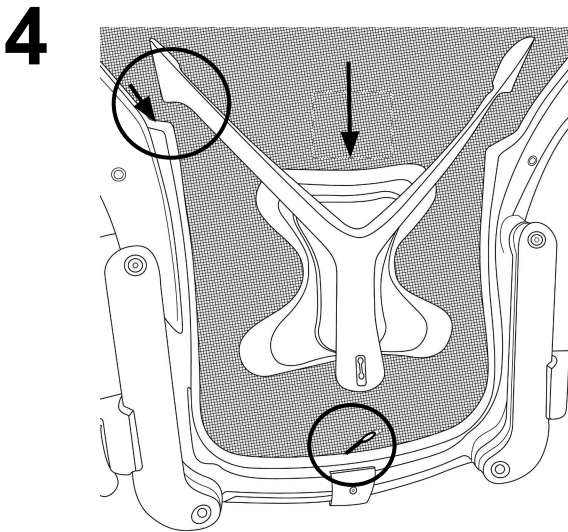
Screw in the 4 bolts into the holes on each corner using the included allen key



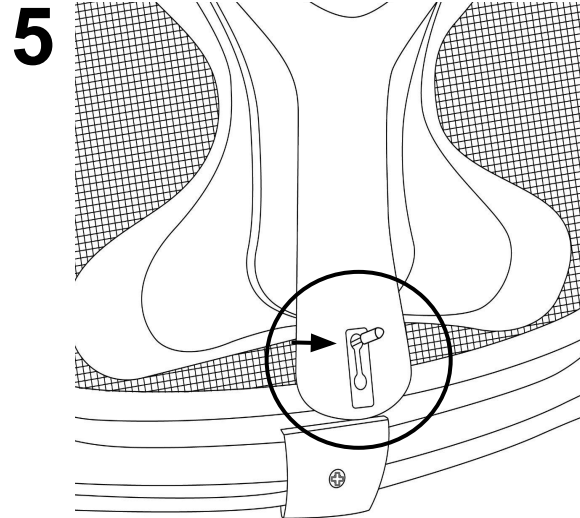
Thread the cable through the highlighted hole in the mesh and slide up the clip over the ridge of the bottom of the back mesh



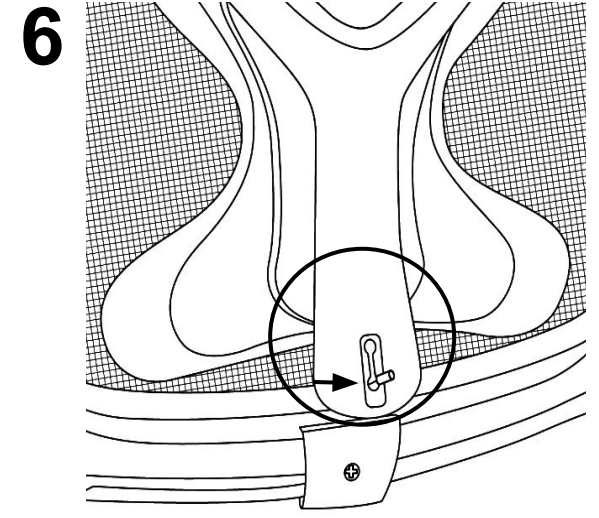
Make sure the cable is through the hole in the mesh. Then install the screw



To install the posturefit module, slide the bracket over the rails and push down on each side. Ensure the cable is reachable from behind the pad



Take the end of the cable, and push it through the top hole on the bracket. To make it easier, push the bracket inwards to bring the hole closer to the cable



Once the the cable is through the top hole, push the cable down to the lower, smaller hole to stop the cable from falling through